



## Dante™ Kit ME 36

### FEATURES

- Great speech intelligibility
- Phantom power via PoE
- Remote controllable gain level
- Daisy-chaining possible

### DELIVERY INCLUDES

- 1 SL DI 4 XLR Dante™ interface
- 4 MAT 133-S tablestands
- 4 MZH 3015 goosenecks
- 4 ME 36 condenser microphone capsules



The MAT 133-S is a rugged and unobtrusively designed table stand. It provides a stable ground for the metal gooseneck MZH 3015 with a length of 150 mm for use with the ME 34, ME 35 and ME 36 microphone heads. The rugged gooseneck is fitted with a balanced, floating XLR-3 output, enabling the microphone to be powered by the SL DI 4 XLR.

The ME 36 is a condenser microphone capsule. This mini shotgun microphone features for an outstanding background noise rejection.

The SL DI 4 XLR four input Dante™ preamp is the ideal interface for wireless microphone receivers. As analog to digital audio converter, it allows for adding analog microphone systems to a Dante™ system. All Sennheiser XLR microphones and all wireless microphone receivers as well as all SpeechLine Wired installation microphones are compatible with the SL DI 4 XLR.

### PRODUCT VARIANTS

Dante Kit ME 36

Art. no. 508206



# Dante™ Kit ME 36

## SPECIFICATIONS

### SL DI 4 XLR




Audio Inputs	
Input type	Balanced and RF filtered
Gain	0 dB, +15 dB, + 30 dB, +45 dB, software selectable 10 dB pad, software selectable
Input impedance	> 1.8 KΩ @ any gain
Maximum input levels	+18 dBu @ 0 dB gain, with pad +8 dBu @ 0 dB gain, no pad -7 dBu @ +15 dB gain, no pad -22 dBu @ +30 dB gain, no pad -36 dBu @ +45 dB gain, no pad
Phantom power	+48 V, 10 mA per input, software selectable
Audio performance	
EIN	-113 dBu
System THD+N	< 0.02 % @ any gain input signal 3 dB below maximum
Frequency response	20 Hz - 20 kHz

### MAT 133-S

Phantom power	P24
Current consumption	3.7 mA
Connectors	Mic In - XLR-3F Mic Out - XLR-3M
Pin assignment out	XLR-3M out: 1 = gnd 2 = Audio + 3 = Audio -
Pin assignment in	XLR-3F in: 1 = gnd 2 = Audio + 3 = Audio -
LED light ring color	red/green
Microphone modes	Toggle on / off Push to mute Push to talk permanent on
Connection	clip contact for logic

Dante™ network	
Physical level	Standard Ethernet
Connector	Single RJ-45
Cable quality	CAT-5
Transmission speed	100 Mbps
Daisy chain	2 units when powered by 802.3af PoE 3 units when powered by external +12 V DC power supply (Sennheiser NT 12-50CS)

Product properties	
Power requirements	Class 0 802.3af PoE PD compliant +12 V DC
Power consumption	2.7 W (225 mA) @ +12 V DC, no phantom power 5.5 W (460 mA) @ +12 V DC, 10 mA phantom power load per input
Dimensions (W x H x D)	219 x 38 x 120 mm (8.63" x 1.50" x 4.74")
Weight	0.77 kg (1.7 lbs)
Operating temperature	0 °C - 40 °C (32 °F - 104 °F)

Pin assignment logic connector	trigger signal at the logic connector:
	 Logic in (external LED control)
	 GND
	 Logic out (switch signal)
Weight	1,210 g
Dimensions (W x D x H)	120 x 170 x 43 mm (4.72" x 6.69" x 1.69")
Operating temperature	-10 °C to +50 °C (+14 °F to +122 °F)



# Dante™ Kit ME 36

## SPECIFICATIONS

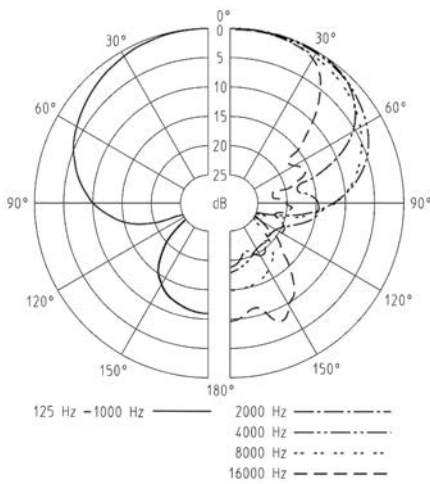
### MZH 3015

Phantom power	P12-P48
Connector	XLR3
Coating	matte black
Diameter	6 mm (0.24")
Length	150 mm (5.91")
Weight	73 g (23 oz.)

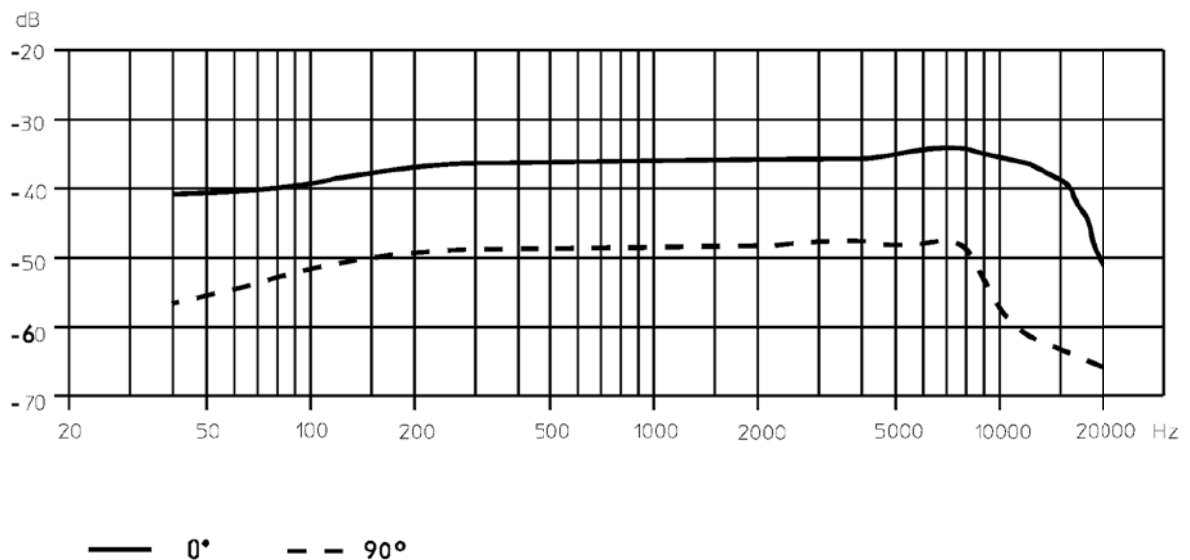
### ME 36

Transducer principle	pre-polarized condenser microphone
Acoustics	hypercardioid / lobar
Frequency response	40 Hz - 20 kHz
Minimal terminating impedance	1 kΩ
Max. sound pressure level	130 dB SPL
Equivalent noise level	23 dBA
Equivalent noise level weighted as per CCIR 468-3	34 dB
Phantom power	P12-P48
Current consumption	250 μA
Weight	17 g (6 oz.)
Diameter	8.2 mm (0.33")
Length	96 mm (3.78")
Coating	matte black

## POLAR DIAGRAM ME 36



## FREQUENCY RESPONSE ME 36

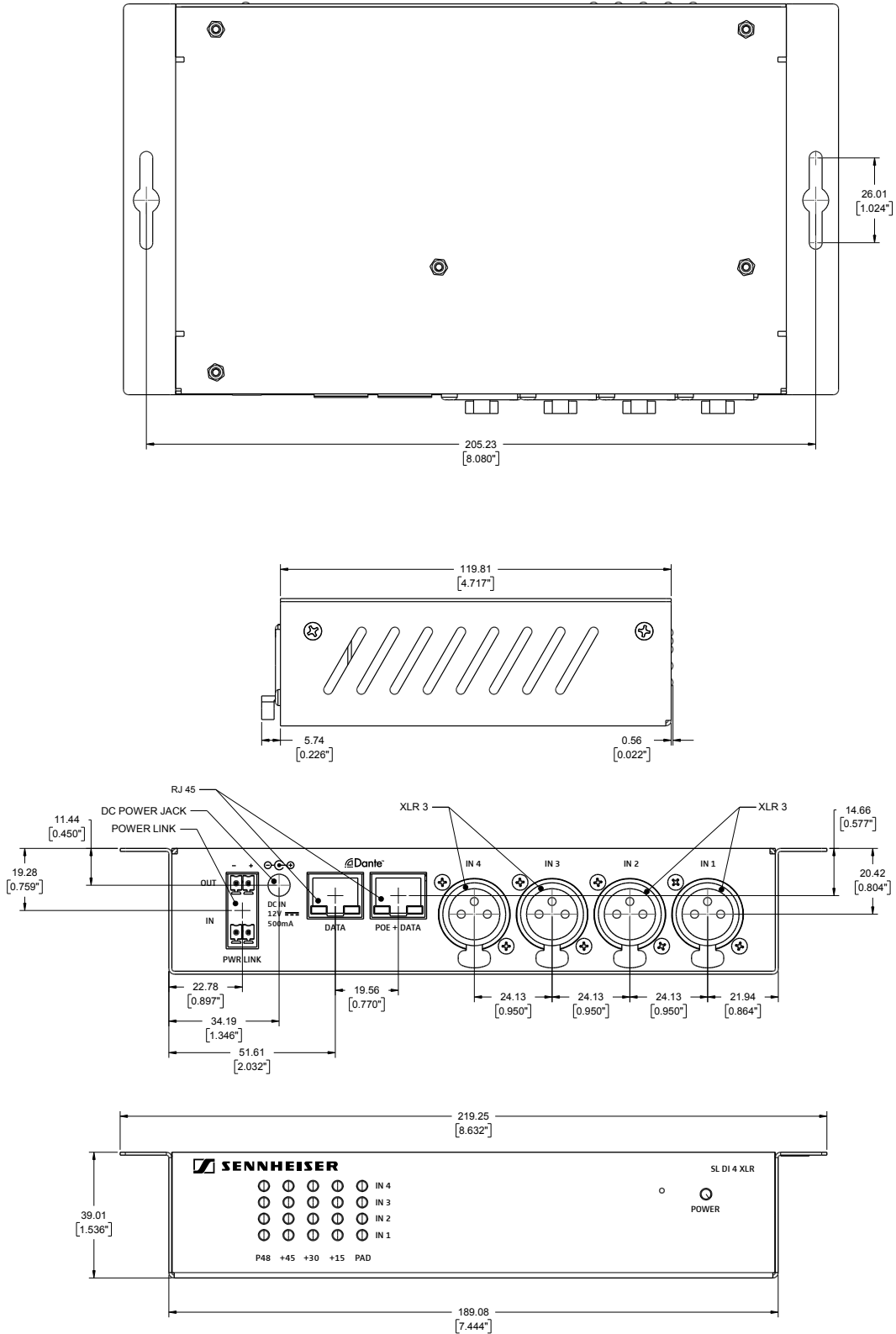




# Dante™ Kit ME 36

## DIMENSIONS

### SL DI 4 XLR

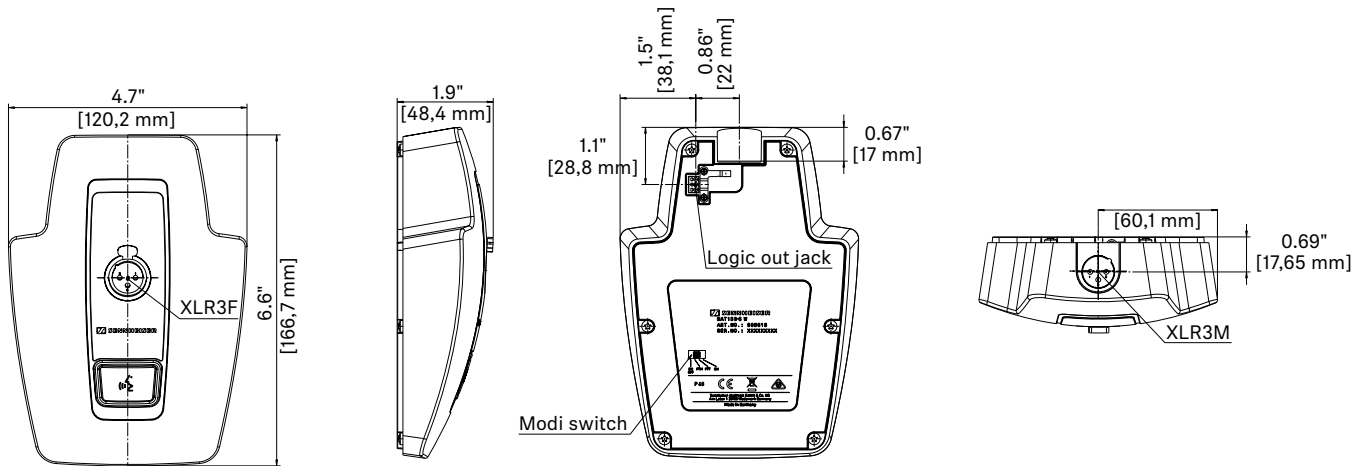




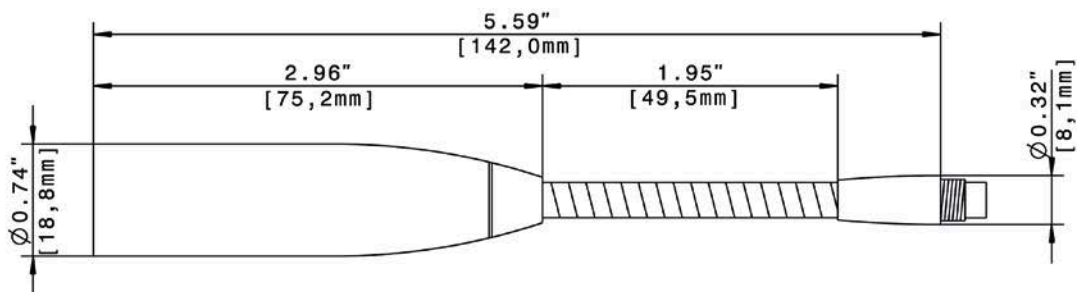
# Dante™ Kit ME 36

## DIMENSIONS

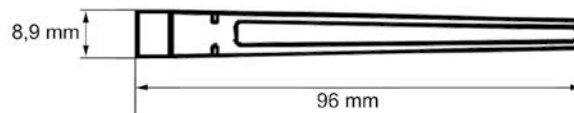
### MAT 133-S



### MZH 3015



### ME 36





# Dante™ Kit ME 36

## ARCHITECT'S SPECIFICATION

The Dante™ interface shall feature four balanced and RF filtered mic/line inputs on female XLR-3 connectors and two RJ-45 Ethernet connectors to allow Dante™ daisy chaining (DDC) of multiple units.

Audio frequency response shall range from 20 – 20,000 Hz. Input impedance shall be > 1.8 kΩ at any gain setting. Equivalent input noise shall be -113 dBu. The Dante™ interface shall be powered over the CAT5 Ethernet cable from an 802.3af PoE compliant network switch or from an external +12 V DC power supply. The unit shall support daisy chaining of two units when powered via PoE and shall accept daisy chaining of up to three units when powered via an external +12 V DC power supply. Power consumption shall be 2.7 W (225 mA) @ +12 V DC without phantom power and 5.5 W (460 mA) @ +12 V DC with a 10 mA phantom power load per input.

The Dante™ interface shall have a rugged metal housing with integrated mounting brackets; dimensions (W x H x D) shall be 219 x 38 x 120 mm (8.63" x 1.50" x 4.74"). Weight shall be 0.77 kg (1.7 lbs). Operating temperature shall range from 0 °C to 40 °C (32 °F to 104 °F).

The Dante™ interface shall be the Sennheiser SL DI 4 XLR.

The tablestand for connecting and operating XLR gooseneck microphones shall be rugged and unobtrusive. It shall have a programmable microphone button (Toggle on/off, PTM, PTT and permanent on) and a bi-color LED ring for status indication shall be provided.

The tablestand shall feature an XLR-3F microphone input, an XLR-3M microphone output and a TTL logic connector with logic inputs and outputs. The logic output voltage shall be high level > 2.4 and low level < 0.4 V, the logic input voltage shall be high level > 2.0 V and low level < 0.8 V.

The tablestand shall operate on 24 V phantom power. Current consumption shall be 3.7 mA. Dimensions shall be 120 x 170 x 43 mm (4.72" x 6.69" x 1.69"). Weight shall be 1,210 grams (42,68 oz). Operating temperature shall range from -10 °C to +50 °C (+14 °F to +122 °F).

The tablestand shall be the Sennheiser MAT 133-S.

The gooseneck shall be streamlined in appearance, with a boom diameter of 8 mm (.31") and an overall length of 15 cm (5.9"). It shall also be finished with a durable anti-reflective matte black coating and have a pre-amp housed with its XLR-3 connector housing.

The gooseneck shall be mountable using a tablestand, direct to surface receptacle or via a silent shock mount system. The gooseneck shall accept the Sennheiser ME34, ME35 and ME36 microphone capsules.

The gooseneck shall be the Sennheiser MZH 3015.

The mini shotgun microphone for speech transmission shall be unobtrusive in appearance. The microphone shall provide a hypercardioid/lobar directivity and shall be powered with 12 to 48V phantom powering. The microphone shall cover a frequency range of 40Hz to 20kHz, the equivalent noise level shall not exceed 23 dB weighted A.

For connection with Sennheiser MZH goosenecks a high quality screw thread shall be provided. The electrical contact points shall be gold plated. The housing of the microphone shall be made from metal, finished with a non reflective black coating. Various mounting options and goosenecks shall be available.

The microphone shall be Sennheiser ME 36.