

[www.sennheiser.com/download](http://www.sennheiser.com/download)

---

**Smart Assist**

Download on the  
**App Store**

GET IT ON  
**Google Play**

Sennheiser electronic SE & Co. KG  
Am Labor 1, 30900 Wedemark, Germany  
[www.sennheiser.com](http://www.sennheiser.com)

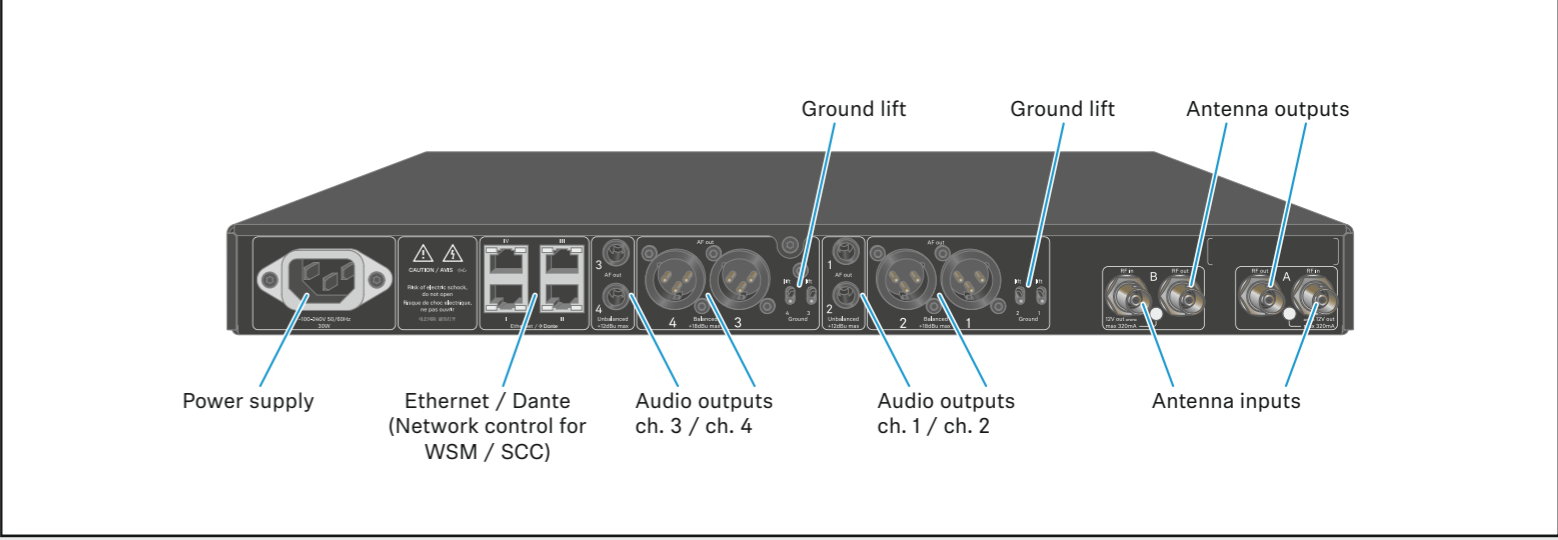
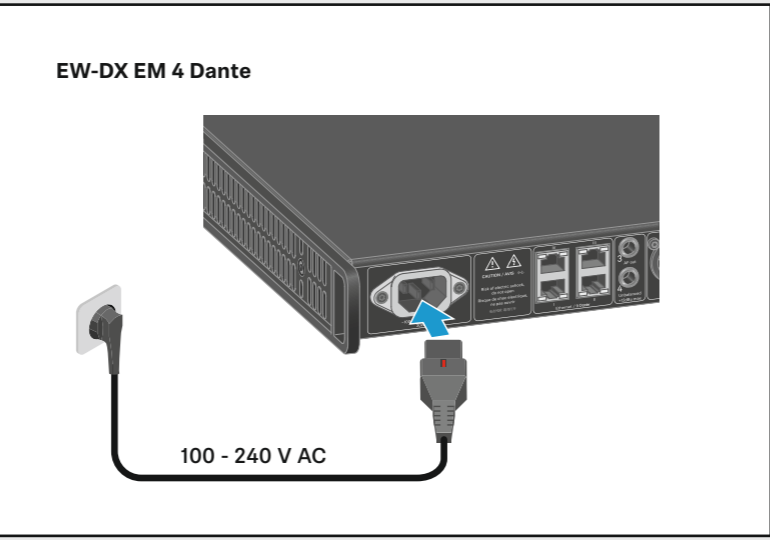
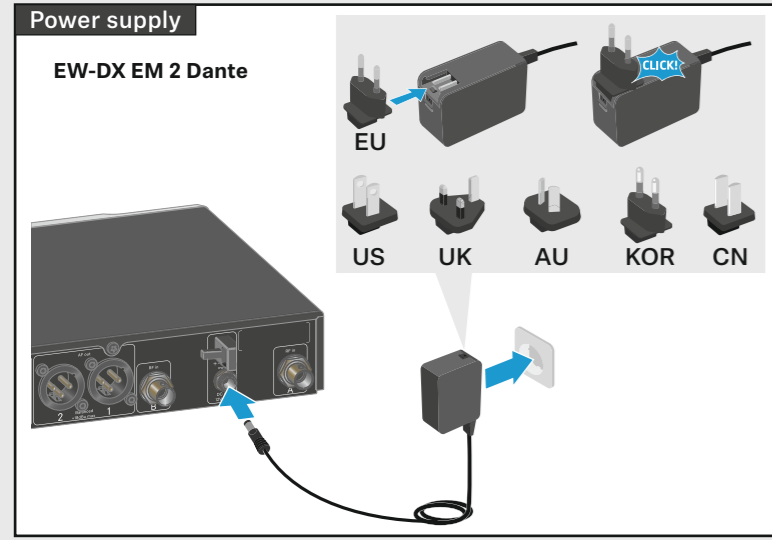
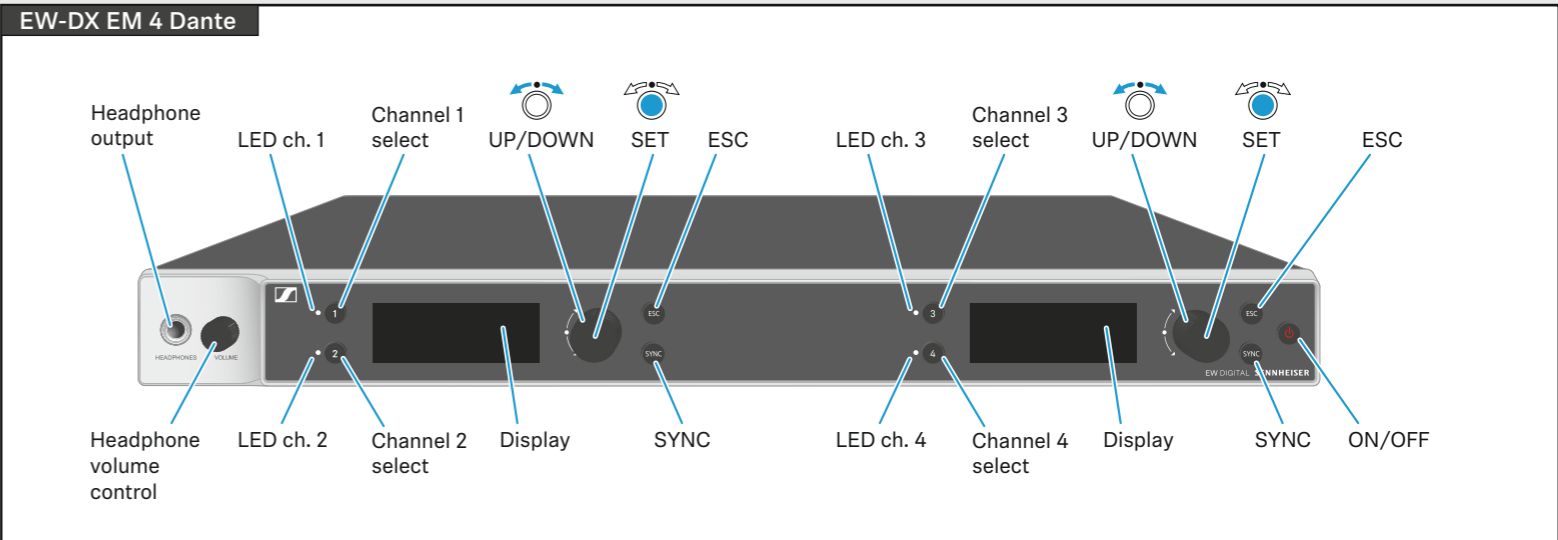
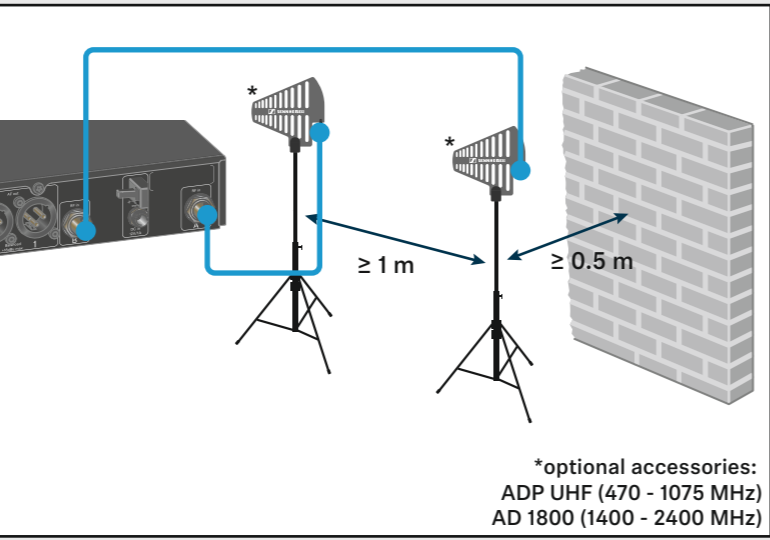
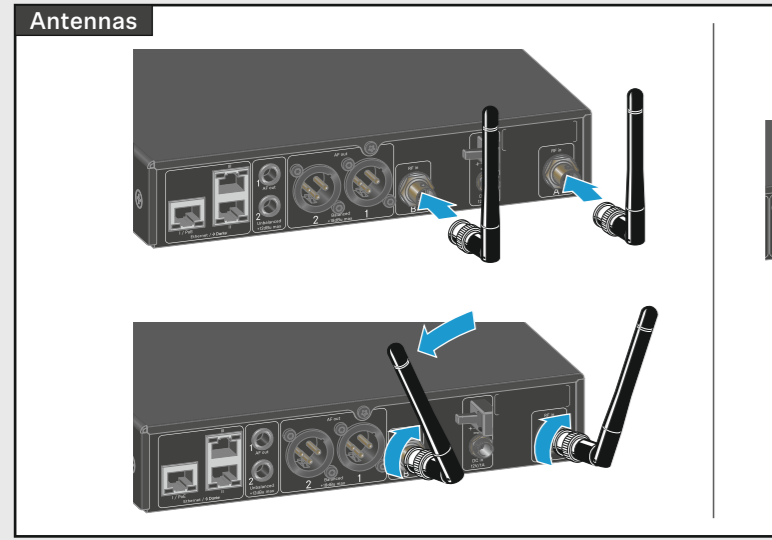
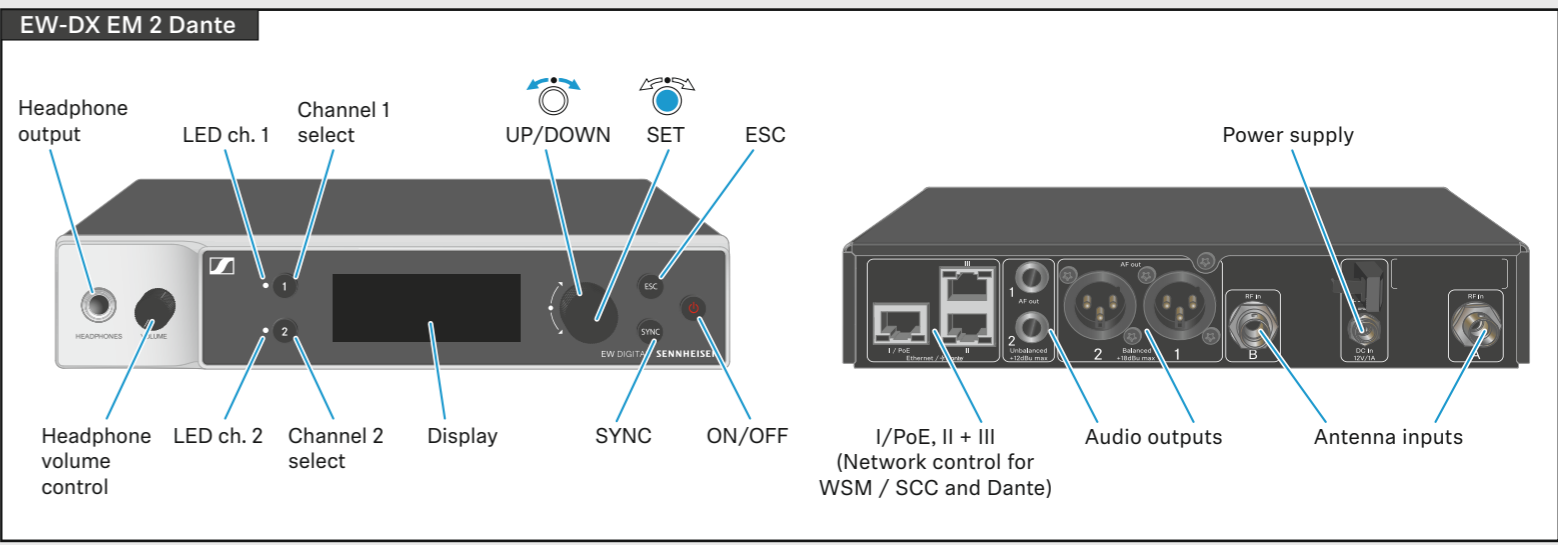
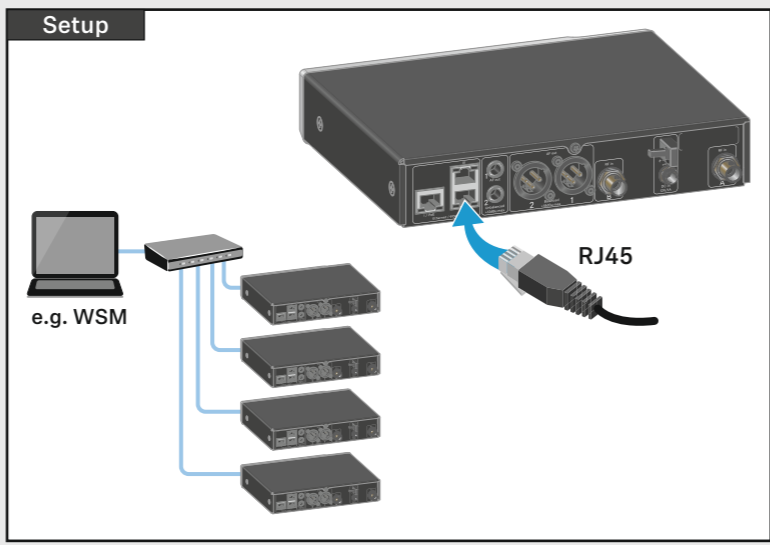
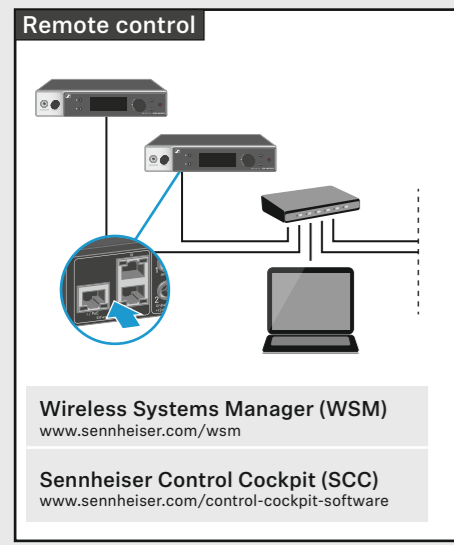
Printed in Germany  
Publ. 03/24, 587468/A04

**Evolution Wireless Digital**

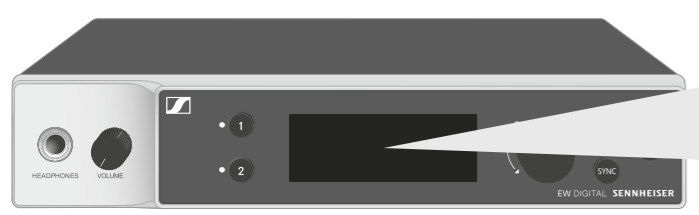
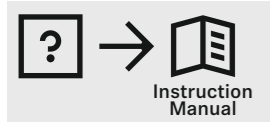
EW-DX EM 2 Dante  
EW-DX EM 4 Dante

Quick Guide  
Kurzanleitung  
Guide rapide  
Guida rapida  
Guía de inicio rápido  
Guia rápido  
Beknopte handleiding  
Krótka instrukcja obsługi  
Snabbguide

Kort vejledning  
Pikaohje  
Γρήγορος οδηγός  
Kisa Kilavuz  
Краткая инструкция  
快速指南  
クイックガイド  
퀵 가이드



**Display**



System Home Screen

Frequency (Channel 1) Link name (Channel 1) Link name (Channel 2) Frequency (Channel 2)

Transmitter battery (Ch.1) Transmitter battery (Ch.2)

Radio frequency level and link quality (Channel 1) Mute mode (Channel 1) Radio frequency level and link quality (Channel 2) Transmitter audio level (Channel 1) System icons (see instruction manual) Transmitter audio level (Channel 2)

**Channel 1 Home Screen**

Link name Frequency

Radio frequency level and link quality Transmitter audio level Mute mode Transmitter battery Audio settings

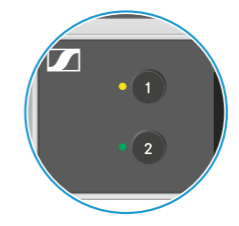
**Channel 2 Home Screen**

Frequency Link name

Audio settings Transmitter battery Radio frequency level and link quality Transmitter audio level quality

**LEDs**

LEDs	
	- Link ok - Audio active
	- Link ok - Audio muted or no capsule on SKM
	- Link ok - Audio clip
	- No link
	- Link ok - Low transmitter battery
	- No link - Device switched off
	Bluetooth active to - sync with transmitter - connect with app - transmitter update



**On/Off**



Off -> On

short on

On -> Off

long off

**Key Lock**

Auto Lock 10s

Instruction Manual

Locked Unlock?

SET UP/DOWN SET

**Frequency setup**

- SKM/SK off!
- select channel
- select frequency
- SYNC

select preset from channel list or set frequency manually

OR

- perform auto setup
- follow on-screen instructions

**Sync**

- select channel & set parameters
- short press
- SKM(-S) OR SK
- Sync successful

[www.sennheiser.com/download](http://www.sennheiser.com/download)

Instruction manual | Bedienungsanleitung | Notice d'emploi | Istruzioni per l'uso |  
 Instrucciones de manejo | Manual de instruções | Gebruiksaanwijzing |  
 Instrukcja obsługi | Bruksanvisning | Betjenings vejledning | Käyttöohje |  
 Οδηγίες λειτουργίας | Kullanım kılavuzu | Инструкция по эксплуатации | 使用说明书 |  
 取扱説明書 | 사용 설명서 |

**Smart Assist**

Available on the **App Store** **Google play**