



Evolution Wireless Digital EW-DP ENG SET



Portable digital UHF wireless microphone system with ME 2 omnidirectional lavalier or ME 4 cardioid lavalier for filmmakers, content creators, and broadcasters.

FEATURES

- Fully digital UHF wireless microphone system for video applications
- Integrated Bluetooth for synchronization and control
- Smart Notifications for troubleshooting and system guidance
- Intelligent battery management provides operating time (hours:minutes)
- Extended battery life: up to 12 h on transmitter, 7 h on receiver (SKP up to 6h)
- Magnetically stackable components for versatile mounting
- Industry leading 134 dB dynamic range for distortion free transmission
- Up to 56 MHz bandwidth for flexibility in any RF environment
- Exceptionally low latency (1.9 ms)
- External charging and powering via USB-C (receiver only)
- Smart Assist app for monitor & control
- Optional plug-on transmitter features XLR & 3.5 mm inputs, +48 V & recording via microSD (ENG Set or component only)

DELIVERY INCLUDES

- EW-DP EK digital portable single channel receiver
- EW-D SK digital bodypack transmitter
- ME 2 omnidirectional lavalier microphone
- EW-DP SKP digital plug-on transmitter
- Mounting kit (cheese plate, cold shoe, belt clip & screws)
- BA 70 li-ion battery & (2) AA battery
- Locking 3.5 mm TRS plug to 3.5 mm TRS plug cable
- Locking 3.5 mm TRS plug to XLR plug cable
- USB-C charging cable



Evolution Wireless Digital

EW-DP ENG SET

SPECIFICATIONS

System	
Audio link frequency ranges	Q1-6 470.2 – 526 MHz R1-6 520 – 576 MHz R4-9 552 – 607.8 MHz S1-7 606.2 – 662 MHz S4-7 630 – 662 MHz S7-10 662 – 693.8 MHz T1/7 694.5 – 702.7 MHz & 748.3 – 757.7 MHz T12 806.125 – 809.750 MHz T13-14 819.2 – 823.0 MHz U1/5 823.2 – 831.8 MHz & 863.2 – 864.8 MHz V3-4 925.2 – 937.3 MHz Y1-3 1785.2 – 1799.8 MHz
Bluetooth® Low Energy (BLE) frequency range	2402 - 2480 MHz
Audio frequency response	20 Hz - 20 kHz (-3 dB) @ 3 dBfs
Audio THD	≤ -60 dB for 1 kHz @ -3 dBfs input level
Dynamic range	134 dB
System latency	1.9 ms
Operating temperature	-10 °C - +55 °C (14 °F - 131 °F)
Relative humidity	5 - 95 % (non-condensing)
EW-DP EK	
Input voltage	~ 1.8 - 4.35 V
Input current	Typ. < 250 mA / Max. < 400 mA (BA 70) Typ. < 400 mA / Max. < 750 mA (2x AA batteries) < 300 mA@ 5 V (USB-C standalone)
Power Supply	2x AA batteries 1.5 V or BA 70 rechargeable battery pack or USB-C PD power supply (max.): • 5 V / 1500 mA • 9 V / 900 mA • 12 V / 700 mA
Transmit power (radiated)	BLE: max. 10 mW EIRP
Audio output power	< 2 dBV max. (high level) / < 4 dBU max (high level)
Headphone Output	< 50 mW into 16 Ohms
Dimensions	86 x 67 x 28 mm (3.39" x 2.64" x 1.1")
Weight (without antennas and power supply)	approx. 140g (0.31 lbs)

EW-DP SKP	
Input voltage	~ 2.0 - 4.35 V
Input current	< 300 mA / (without record and P48)
Power Supply	2x AA batteries 1.5 V or BA 70 rechargeable battery pack
Transmit power	Audio link: 10 mW ERP BLE: max. 10 mW EIRP
Audio output power	< 2 dBV max. (high level) / < 4 dBU max (high level)
Output power XLR	max. 10 mA
Dimensions	108 x 42 mm
Weight (without batteries)	ca. 163 g (0.36 lbs)

EW-D SK (Bodypack Transmitter)	
Input voltage	2.0 - 4.35 V
Input current	< 300 mA
Power supply	2 AA batteries 1.5 V (al- kali manganese) or BA 70 rechargeable battery pack
Occupied bandwidth	200 kHz
Transmit power (radiated)	Audio link: 10 mW ERP (Range Y1-3: 12 mW ERP) BLE: max. 10 mW EIRP
Dimensions (without antenna)	63 x 80 x 20 mm (2.48" x 3.15" x 0.79")
Weight (without batteries)	approx. 120 g (0.26 lbs)

ME 2 (Lavalier Microphone)	
Transducer principle	pre-polarized condenser microphone
Pick-up pattern	omni-directional
Sensitivity (free field, no load) (1 kHz)	17 mV/Pa
Max. SPL at 1 kHz	130 dB
Frequency response	50 to 18,000 Hz
Equivalent noise level A-weighted	32 dB
Connector	3.5 mm jack
Cable length	approx. 1.60 m (62.99")
Supply voltage	7.5 V



Evolution Wireless Digital

EW-DP ENG SET

MICROPHONE COMPATIBILITY

Lavalier and headset microphones compatible with the EW-D SK bodypack transmitter

ME 2	Omni-directional lavalier microphone Models produced from 2021 onward, featuring a gold-plated connector*
ME 4	Cardioid lavalier microphone Models produced from 2021 onward, featuring a gold-plated connector*
MKE Essential Omni	Omni-directional lavalier microphone
MKE 2 Gold	Omni-directional lavalier microphone Models produced from 2018 onward, featuring a blue serial number plate
MKE 1	Omni-directional lavalier microphone
ME 3	Cardioid headset microphone Models produced from 2021 onward, featuring a gold-plated connector*
HSP Essential Omni	Omni-directional headset microphone
HSP 2	Omni-directional headset microphone Models produced from March 2020 onward (featuring code 1090 or later)
HS 2	Omni-directional headset microphone Models produced from 2021 onward, featuring a gold-plated connector*
SL Headmic 1	Omni-directional headset microphone

* Models produced prior to 2021 will feature a nickel connector. Earlier models may pick up noise when placed close to the transmitter and are not recommended for use

PRODUCT VARIANTS

EW-DP ENG SET (Q1-6)	470.2 – 526 MHz	Art. no. 700040
EW-DP ENG SET (R1-6)	520 – 576 MHz	Art. no. 700041
EW-DP ENG SET (R4-9)	552 – 607.8 MHz	Art. no. 700042
EW-DP ENG SET (S1-7)	606.2 – 662 MHz	Art. no. 700043
EW-DP ENG SET (S4-7)	630 – 662 MHz	Art. no. 700044
EW-DP ENG SET (S7-10)	662 – 693.8 MHz	Art. no. 700045
EW-DP ENG SET (T1/7)	694.5 – 702.7 MHz & 748.3 – 757.7 MHz	Art. no. 700472
EW-DP ENG SET (T12)	806.125 – 809.750 MHz	Art. no. 700473
EW-DP ENG SET (T13-14)	819.2 – 823.0 MHz	Art. no. 700474
EW-DP ENG SET (U1/5)	823.2 – 831.8 MHz & 863.2 – 864.8 MHz	Art. no. 700046
EW-DP ENG SET (V3-4)	925.2 – 937.3 MHz	Art. no. 700048
EW-DP ENG SET (Y1-3)	1785.2 – 1799.8 MHz	Art. no. 700049

ACCESSORIES

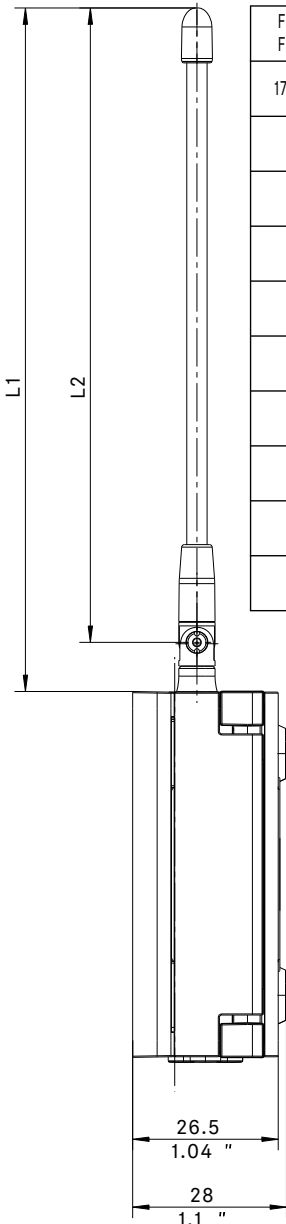
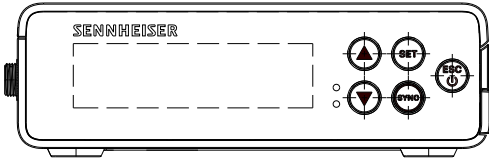
Mounting Plate Set	Mounting kit for EW-DP (Mounting plate, mounting screws, cold shoe mount, allen key, and belt clip)	Art. no. 700005
Mounting Plate	Single mounting plate	Art. no. 588188
CL35	3.5 mm to 3.5 mm TRS coiled cable	Art. no. 586365
CL35-Y	3.5 mm to dual-3.5 mm TRS coiled cable	Art. no. 700061
CL35XLR	3.5 mm to XLR plug coiled cable	Art. no. 700062
BA 70	Rechargeable battery pack for SK, SKM-S, SKP	Art. no. 508860
L 70 USB	Charger for BA 70 rechargeable battery pack	Art. no. 508861
EW-D CHARGING SET	Set of L 70 USB charger and 2 BA 70 rechargeable battery packs	Art. no. 508862



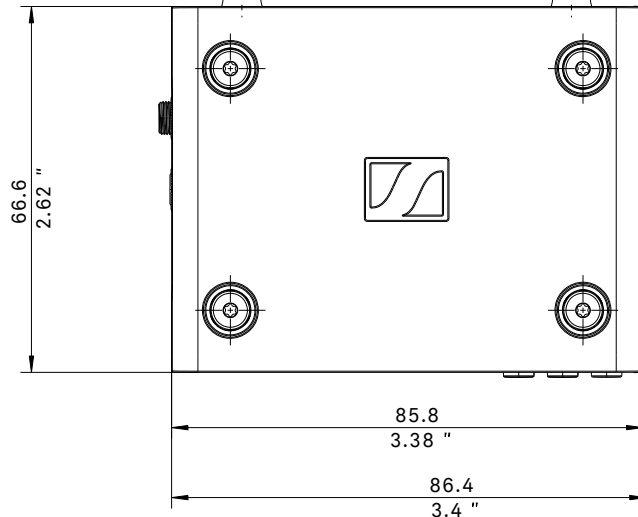
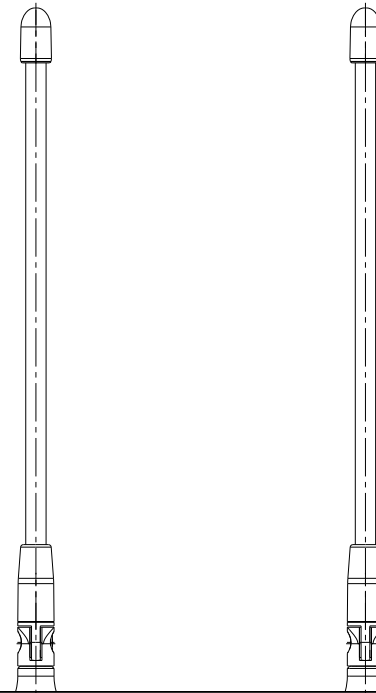
Evolution Wireless Digital EW-DP ENG SET

DIMENSIONS

EW-DP EK



Frequenzbereich Frequency range	L1	L2
1785.2 - 1799.8 MHz	34.6 / 1.36"	-
925-937.5 MHz	74.4 / 2.93"	65.5 / 2.58"
902-928 MHz	74.4 / 2.93"	65.5 / 2.58"
823-832 MHz / 863-865 MHz	84.4 / 3.32"	75.5 / 2.97"
662-694 MHz	190.8 / 7.51"	85.5 / 3.37"
630-662 MHz	94.4 / 3.72"	85.5 / 3.37"
606-662 MHz	94.4 / 3.72"	85.5 / 3.37"
552-608 MHz	109.4 / 4.3"	100.5 / 3.9"
520-576 MHz	109.4 / 4.3"	100.5 / 3.9"
470.2-526 MHz	124.4 / 4.9"	115.5 / 4.55"

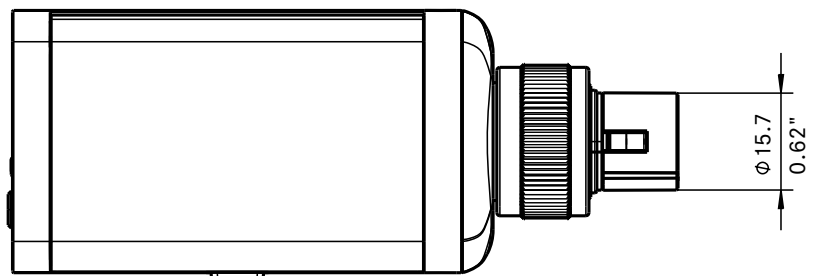
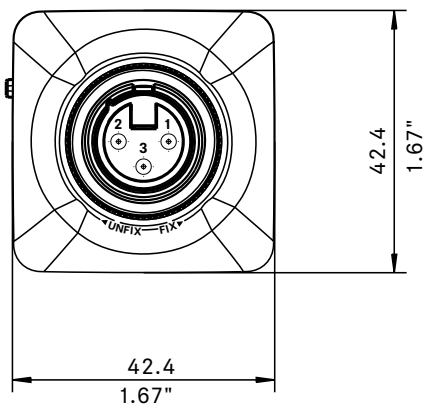
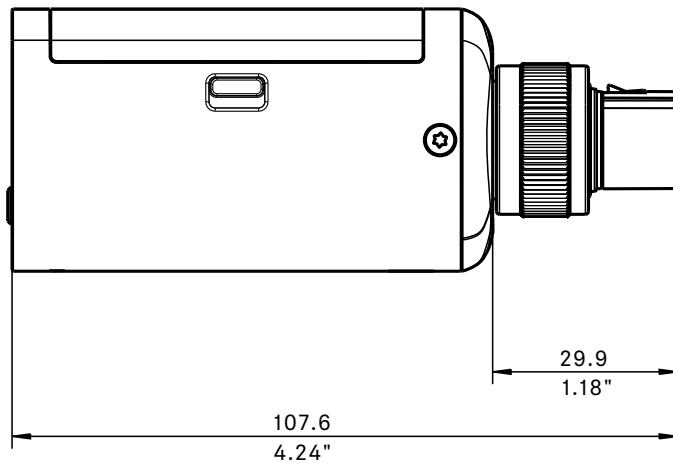
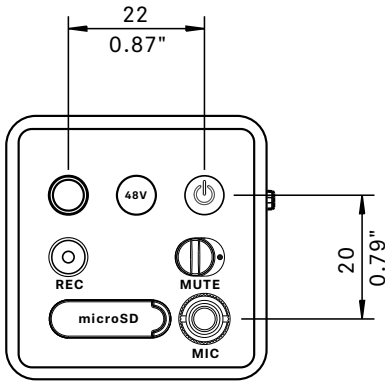




Evolution Wireless Digital EW-DP ENG SET

DIMENSIONS

EW-DP SKP



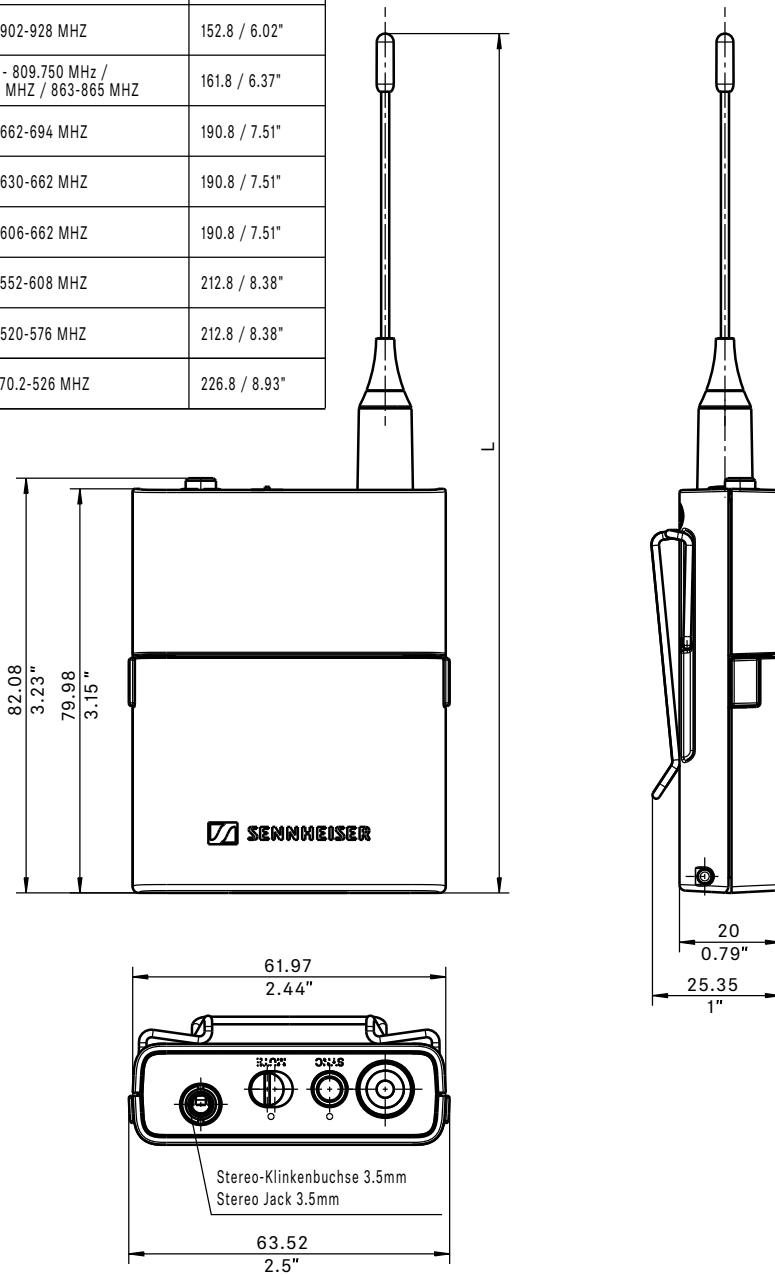


Evolution Wireless Digital EW-DP ENG SET

DIMENSIONS

EW-D SK

Frequenzbereich Frequency range	L
1785-1805 MHz	198.8 / 7.83"
925-937.5 MHz	152.8 / 6.02"
902-928 MHz	152.8 / 6.02"
806.125 - 809.750 MHz / 823-832 MHz / 863-865 MHz	161.8 / 6.37"
662-694 MHz	190.8 / 7.51"
630-662 MHz	190.8 / 7.51"
606-662 MHz	190.8 / 7.51"
552-608 MHz	212.8 / 8.38"
520-576 MHz	212.8 / 8.38"
470.2-526 MHz	226.8 / 8.93"

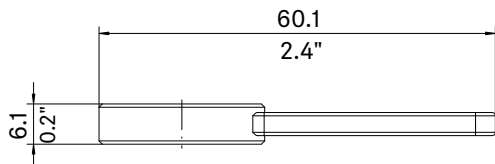
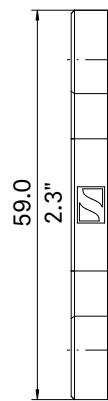
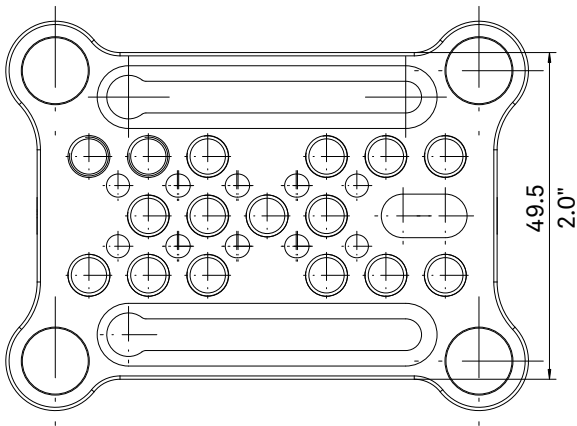
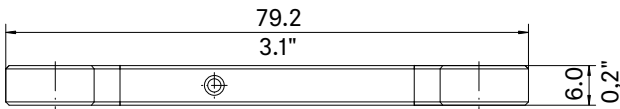




Evolution Wireless Digital EW-DP ENG SET

DIMENSIONS

Mounting Accessories



Montagemaße in Anlehnung an ISO 518
Mounting dimensions according to ISO 518

